

Mid-Range Surveillance Suite

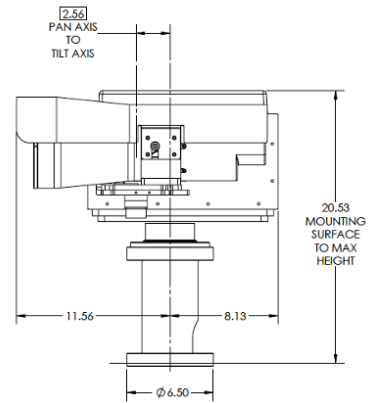
G5 Infrared's Mid-Range Surveillance Suite

offers the best combination of EO and Infrared Imagers integrated on a robust controllable pan-tilt platform.

The EO Imager incorporates a progressive scan CMOS Exmor R sensor having a 1080P60 video output format.

The thermal imager consists of G5 Infrared's proprietary designed and built 18x infrared continuous zoom lens integrated with G5's proprietary video processing electronics producing superior thermal images. The thermal imager uses a H.O.T mid wave sensor with a long-life cryogenic cooler in a 640 x 512 format.

In this configuration G5 is able to offer a two(2) year or 20,000-hour warranty for the mid-wave imager. The payloads are mounted on a robust pan tilt platform having the capability of 360° pan range at speed of .05 to 100°/sec. Boresight adjustment is provided by G5 Infrared's uniquely designed stable lock and stop mechanism.

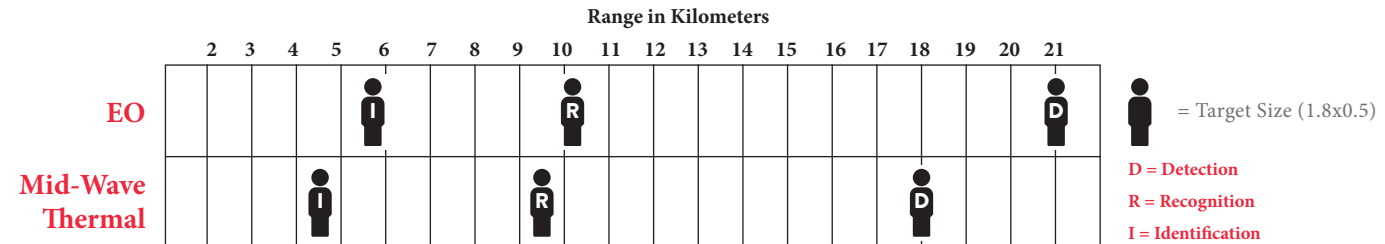


Applications: Vessel Traffic Surveillance, Border Protection, Critical Infrastructure Protection, Airport and Port Security

*Range Performance

EO 50% probability, Mid-Latitude Summer Atmosphere, Desert aerosol, White Cotton against Desert Dirt Road Background, very low turbulence

Mid-Wave Thermal 50% probability, 2° target delta vs background Clear atmosphere, very low turbulence



Mid-Range Surveillance Suite

Part Number	200185
Control	Control available through G5's command and control module Protocols supported, TASS/DiOP/Pelco-D/AXSYS
Thermal	Proprietary 18x zoom mid-wave thermal camera, 18° to 1.0° horizontal field of view
EO	24° to 1.1° horizontal field of view zoom HD camera, .4-.9μ spectral range
Slaving	Field of view slaved for thermal and EO cameras from 18° to 1°
Auto Tour	32 user defined points with saved object distances
Environment	All camera components sealed and backfilled with dry nitrogen, rated IP67 Front Element Defrosters on camera enclosures and Pan Tilt Heaters Meets Mil-Std 810F Operating Temperatures -32°C to +65°C
Pan Axis Range	360° continuous rotation
Tilt Axis Range	+/-90°
Pan Axis Speed	.05°/sec to 100°/sec
Tilt Axis Speed	.05°/sec to 100°/sec
Repeatability	.05°
Power	24VDC@25A
Weight	85lbs
Controller	Power/Command and Control Module supplied in a NEMA 4x enclosure, includes Protocol Translator and a 25 feet of interface cable, SDI Video Output

Thermal Imager

Part Number	200102
Type	Mid Wave f/4 Continuous Zoom
Optical/Digital Zoom	18x/8x (Continuous)
FOV (Horizontal)	18° to 1°
Sensor	640 x 512 H.O.T (High Operating Temperature)
Cooler MTTF	>20,000 Hours
Color Palettes	7 including inverse of each
Autofocus	On demand Autofocus

EO Imager

Part Number	200177
Type	Sony FCB-EV7520A
Optical/Digital Zoom	30x/12x
FOV (Horizontal)	63.7° to 1° (with 17.5% digital zoom)
Sensor	½.8 Exmor R CMOS 2.13Mpixels, minimum illumination, video, autofocus
Minimal Illumination	.006lx (ICR on, High Sens on, 1/30sec
Video	SDI 1080p60
Autofocus	Continuous

Specifications subject to change without notice. Copyright 2020 G5 Infrared, LLC. 04172020